

FEATURES

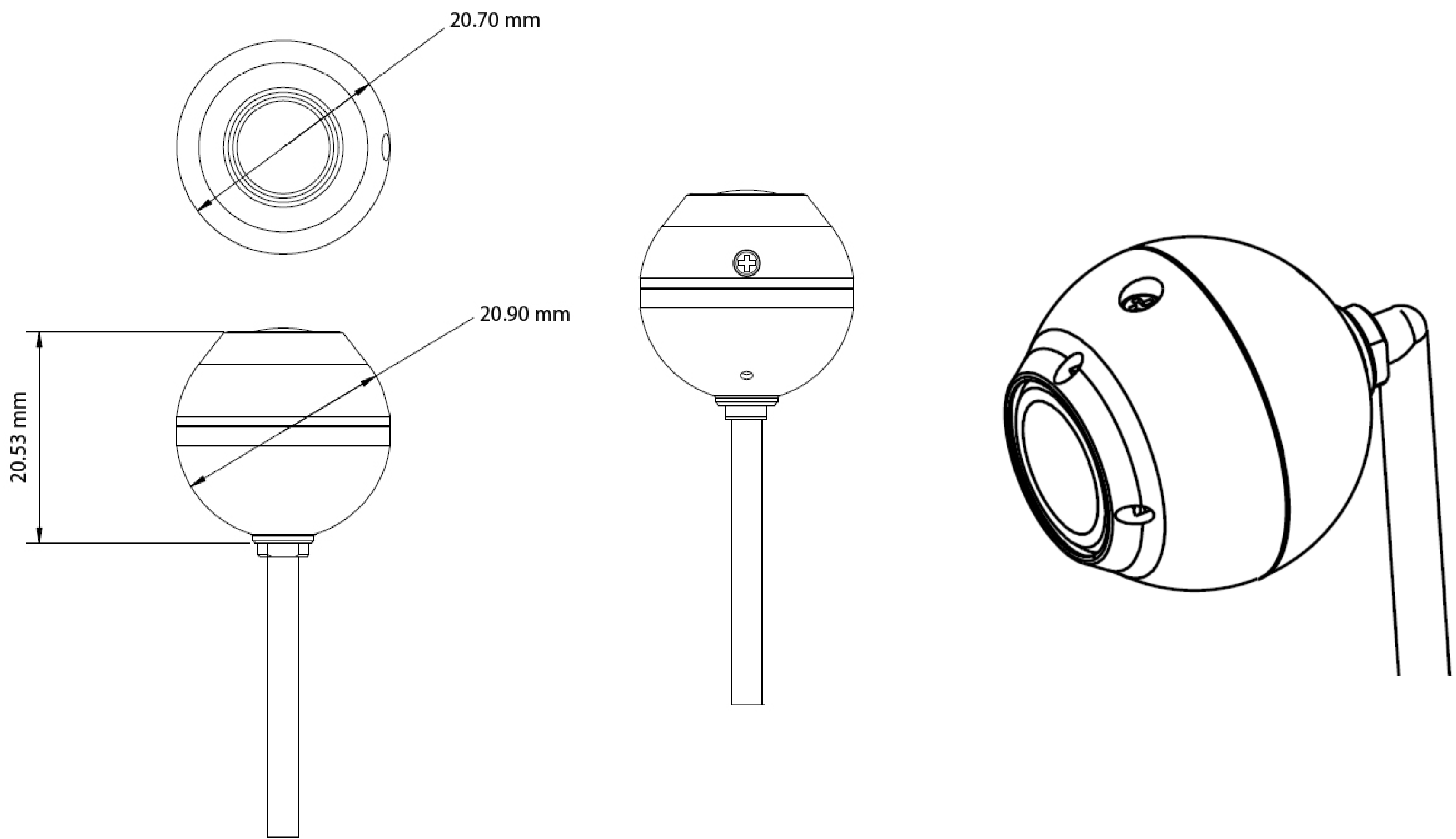


- High resolution 1/4" Color Digital CMOS Camera
- Compact & Smart Design
- Easy adjustable in any viewing direction
- IP69K Waterproof Rating
- Diagonal 140 ° viewing
- Mirror / Normal Image function
- Built-in Microphone
- Low-illumination
- Low Power Consumption
- Multi-purpose
(Frontview, sideview, rearview, surveillance, etc)
- Small connector type in order to avoid drilling of big hole
- Anti-corrosive coating
- Operating temperature - 40°C ~ + 80°C
- Vibration resistant

Specifications

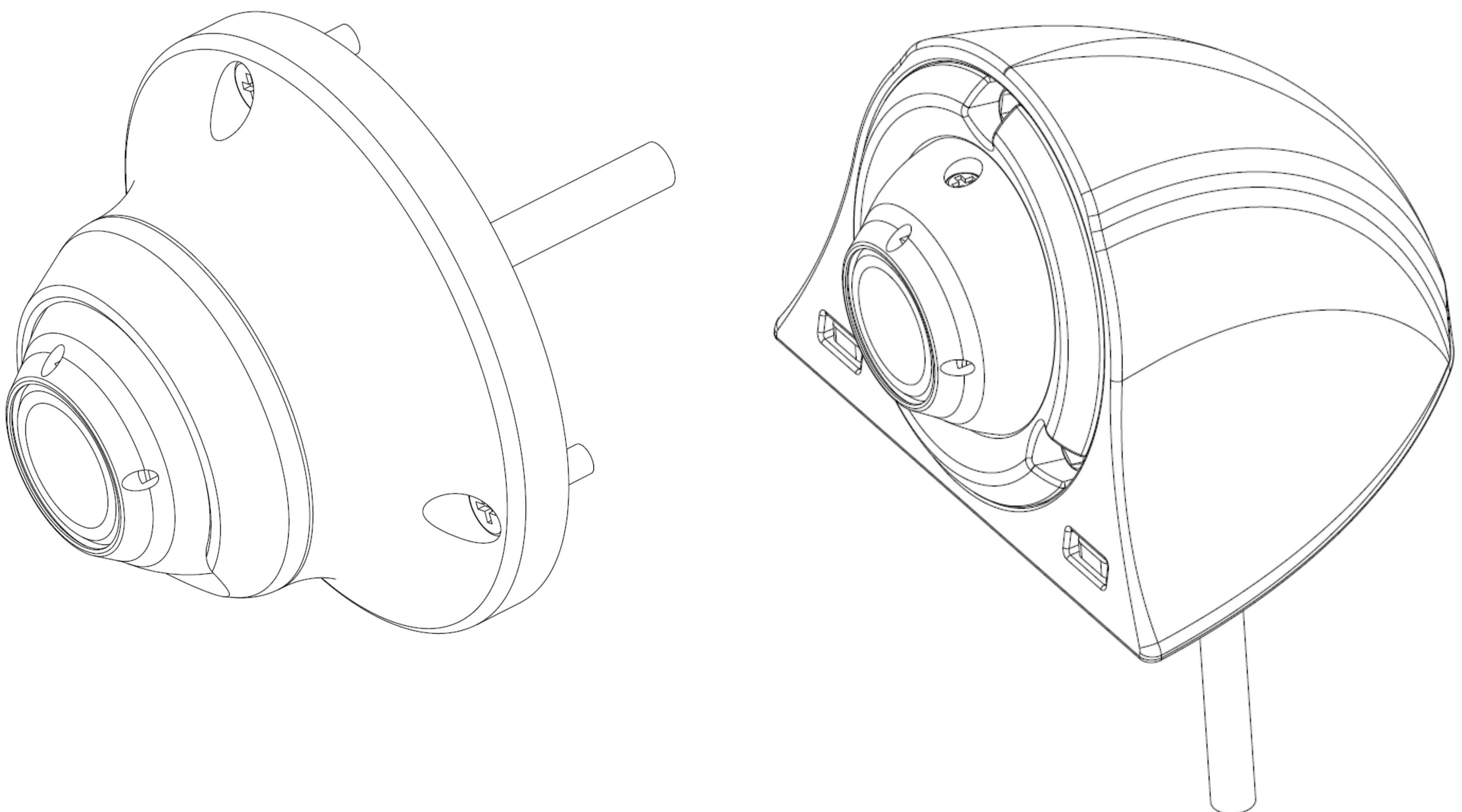
Image sensor	1/4" Color Digital CMOS Image Sensor
Picture elements	PAL 410.000 pixels
Resolution	480 TV Lines
S/N ratio	More than 46dB
Minimum illumination	1 lux
Power range	DC 6V ~ 18V
Power Consumption	DC 12V, 75mA (Max)
Operating Temperature	- 40°C ~ + 80°C
Viewing Angle	140°(D) x 120°(H) x 95°(V)
Video Output	1.0Vp-p Composite, 75 Ω
Material	Aluminum Die-casting
Housing Color	Black
Dimension	Approx. Φ 21 mm (40 x 24 mm including bracket)
Wight	Approx. 45g

Dimensions

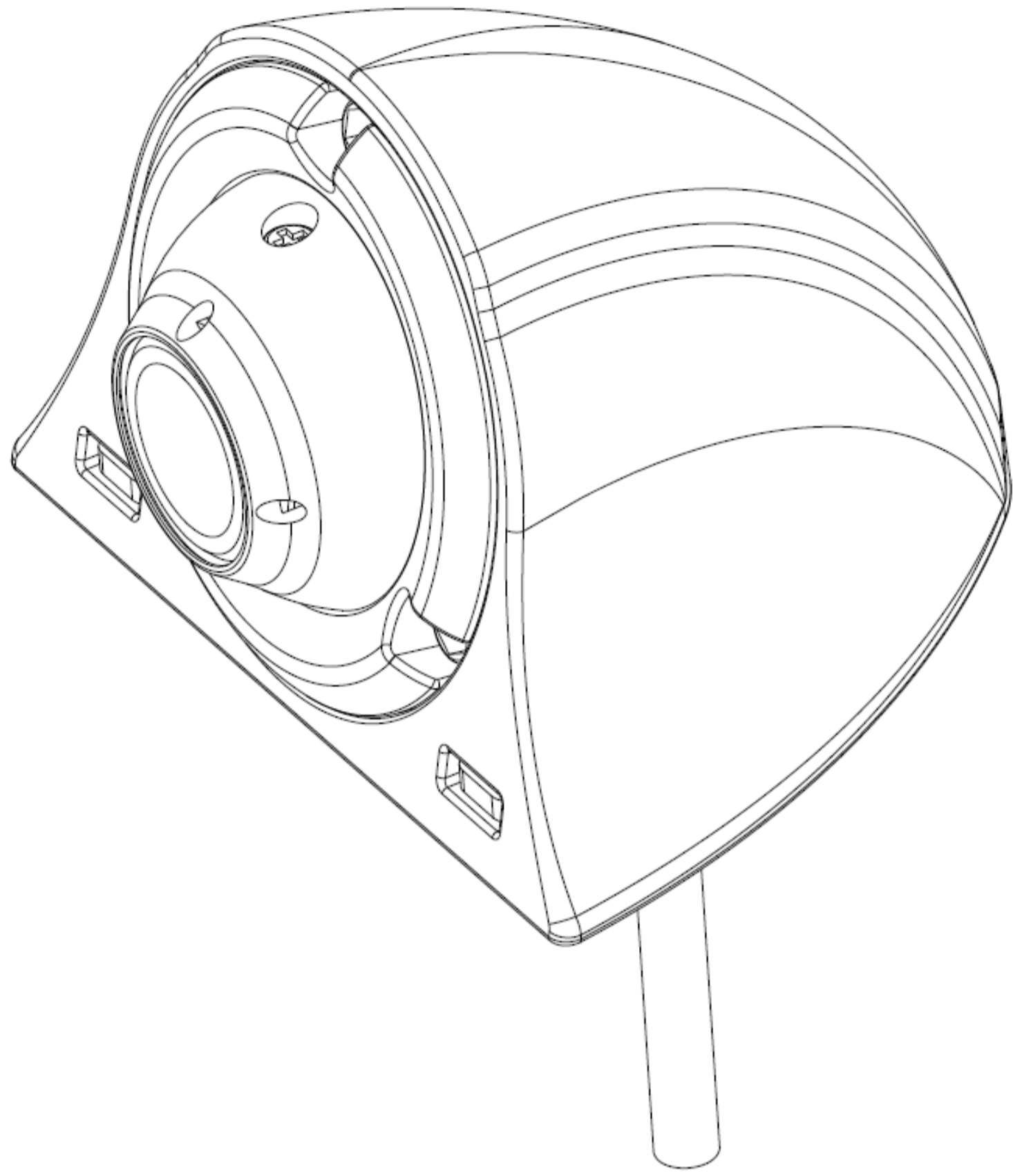


CAMERA

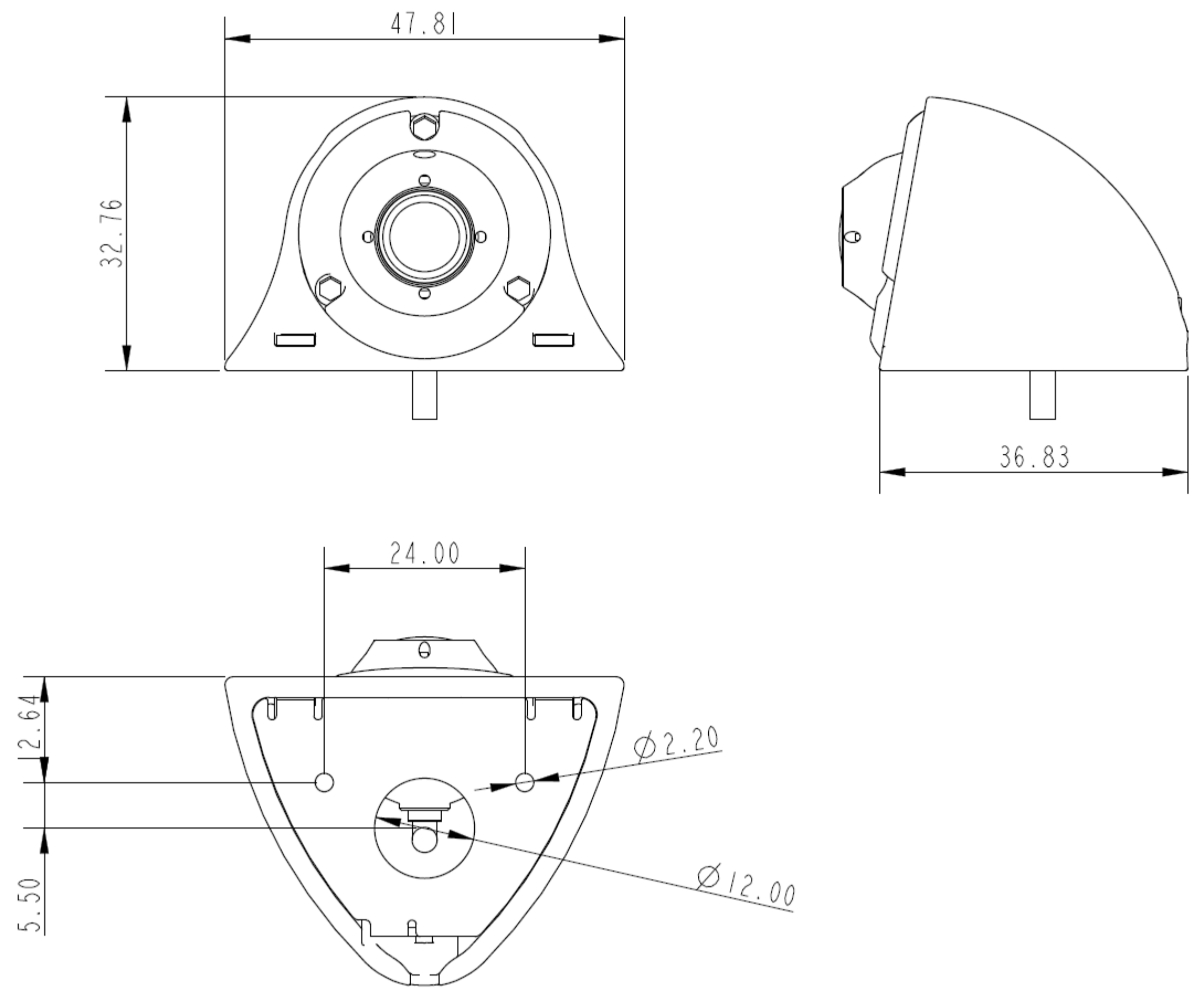
Camera with mount bracket



Dimensions

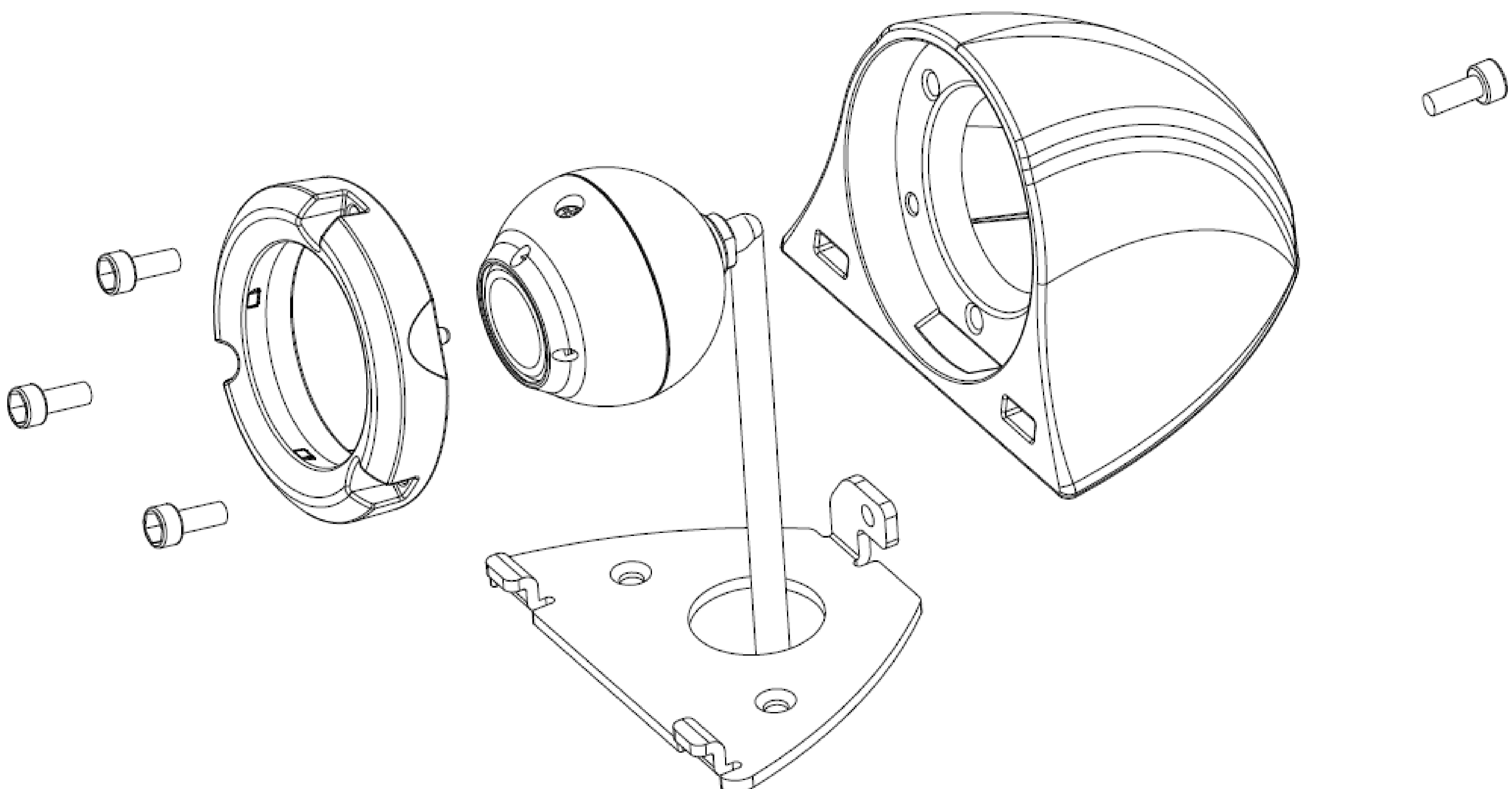


CAMERA

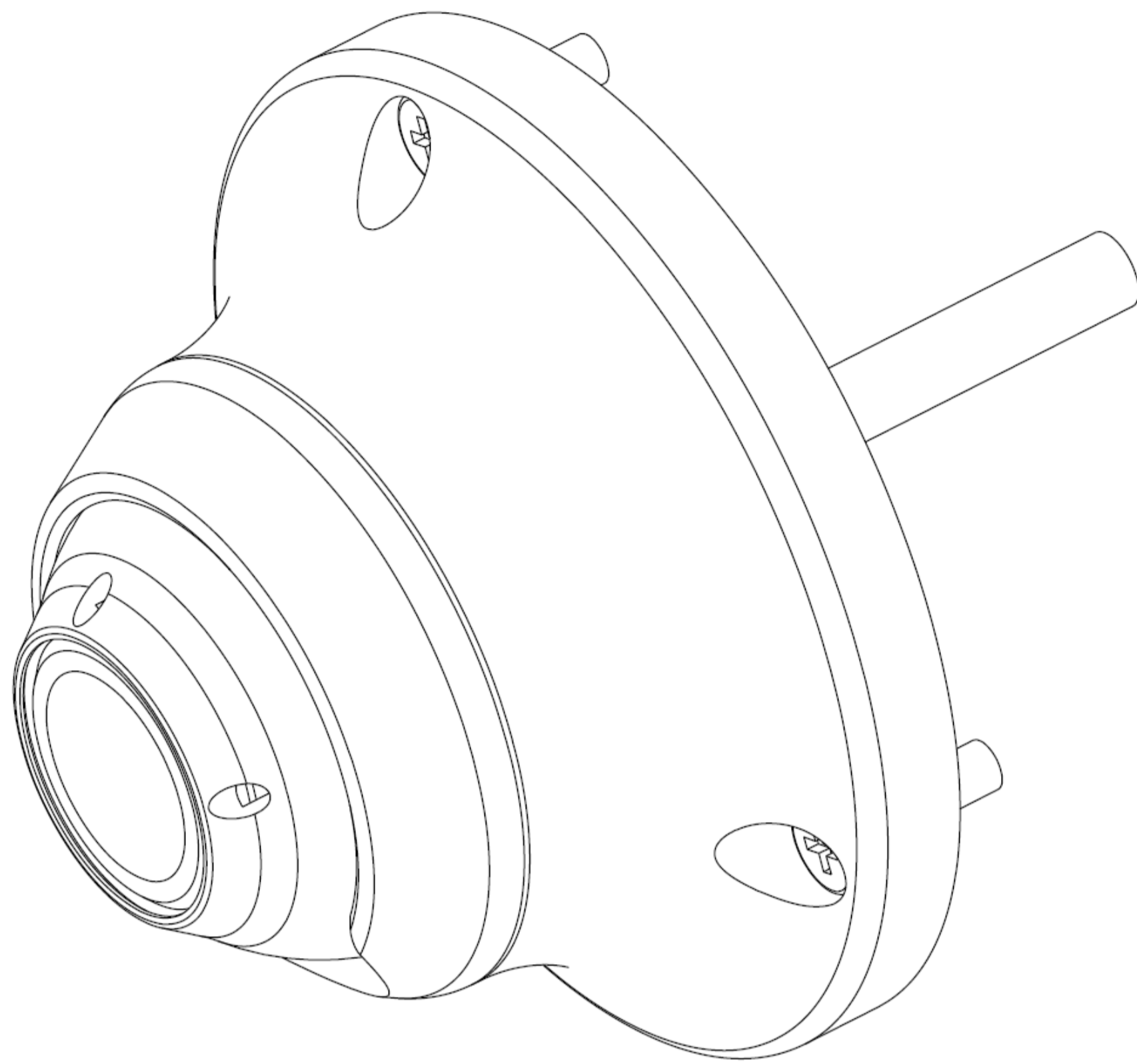


MOUNTING BRACKET

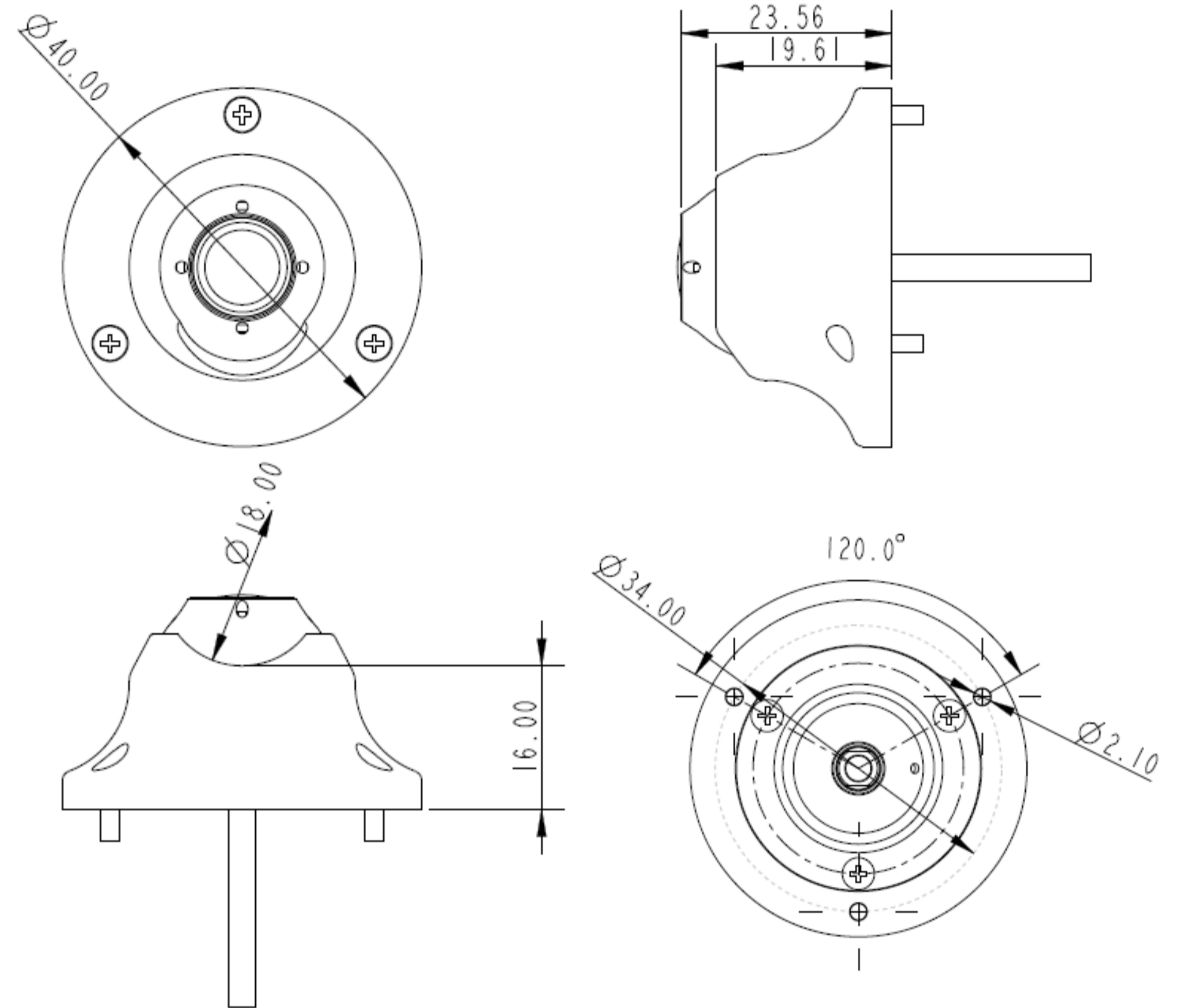
Assembly (camera + mount)



Dimensions



CAMERA



MOUNTING BRACKET

Assembly (camera + mount)

